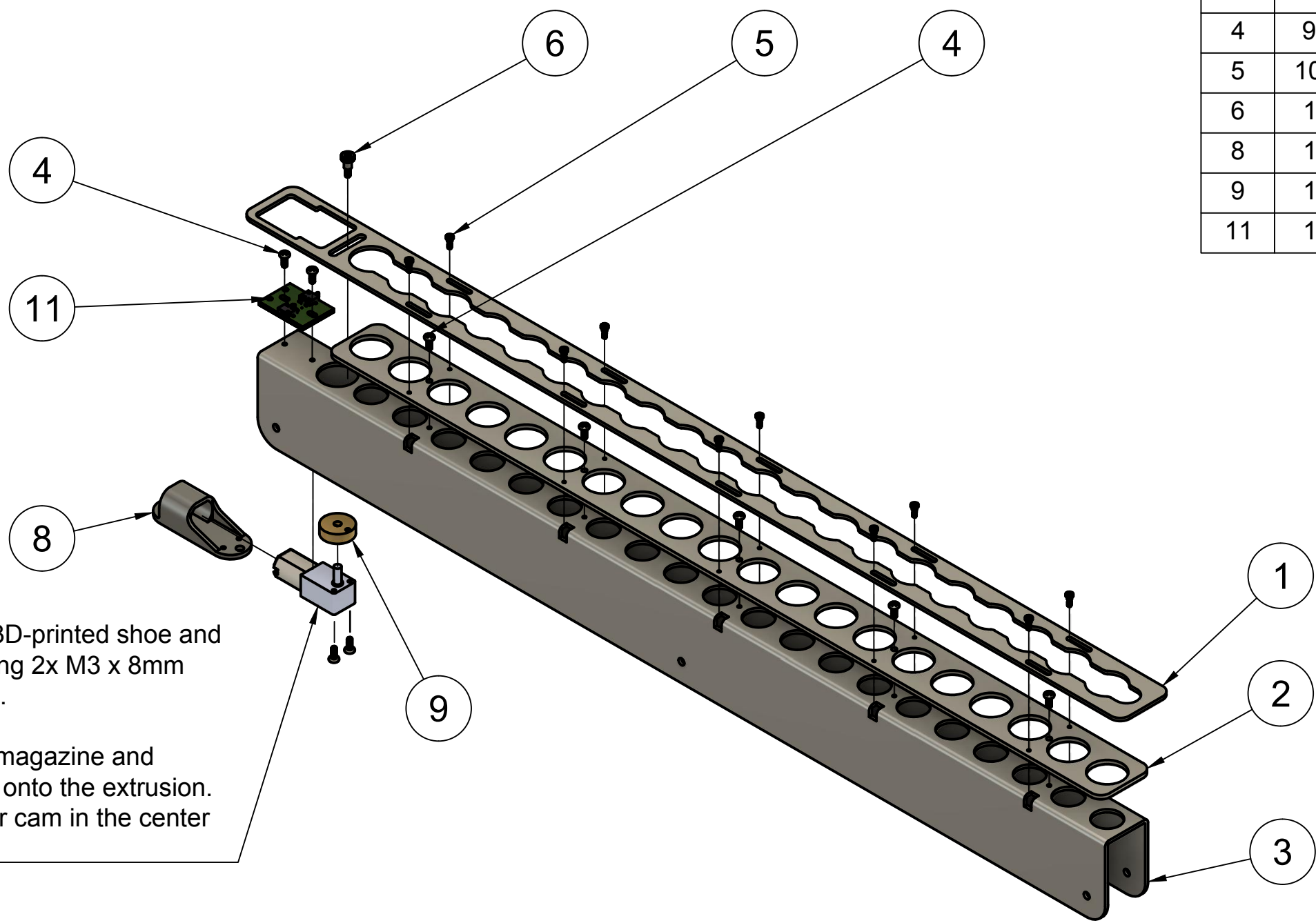


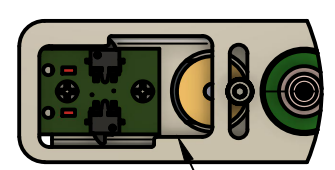
Parts List		
Item	Qty	Part Number
1	1	Nozzle Magazine Cover
2	1	Nozzle Magazine Base
3	1	Nozzle Magazine Support
4	9	M2 x 5mm Phillips Screw
5	10	M1.6 Shoulder Screw
6	1	M3 x 4mm Shoulder Screw
8	1	N20 Motor Right Angle
9	1	Nozzle Magazine Cam
11	1	Nozzle Magazine PCB



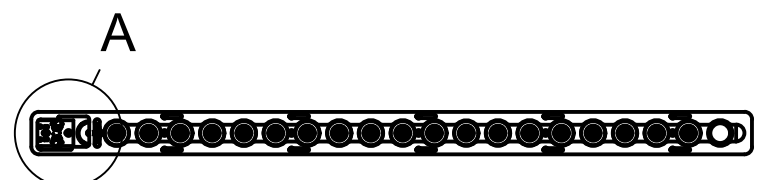
Assemble the motor to the 3D-printed shoe and mount it to the extrusion using 2x M3 x 8mm Torx screws and T-nuts first.

Then assemble the Nozzle magazine and mount it over the motor and onto the extrusion. Make sure to align the motor cam in the center of the magazine hole.

A (2:3)



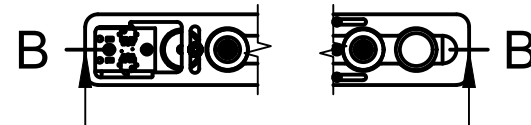
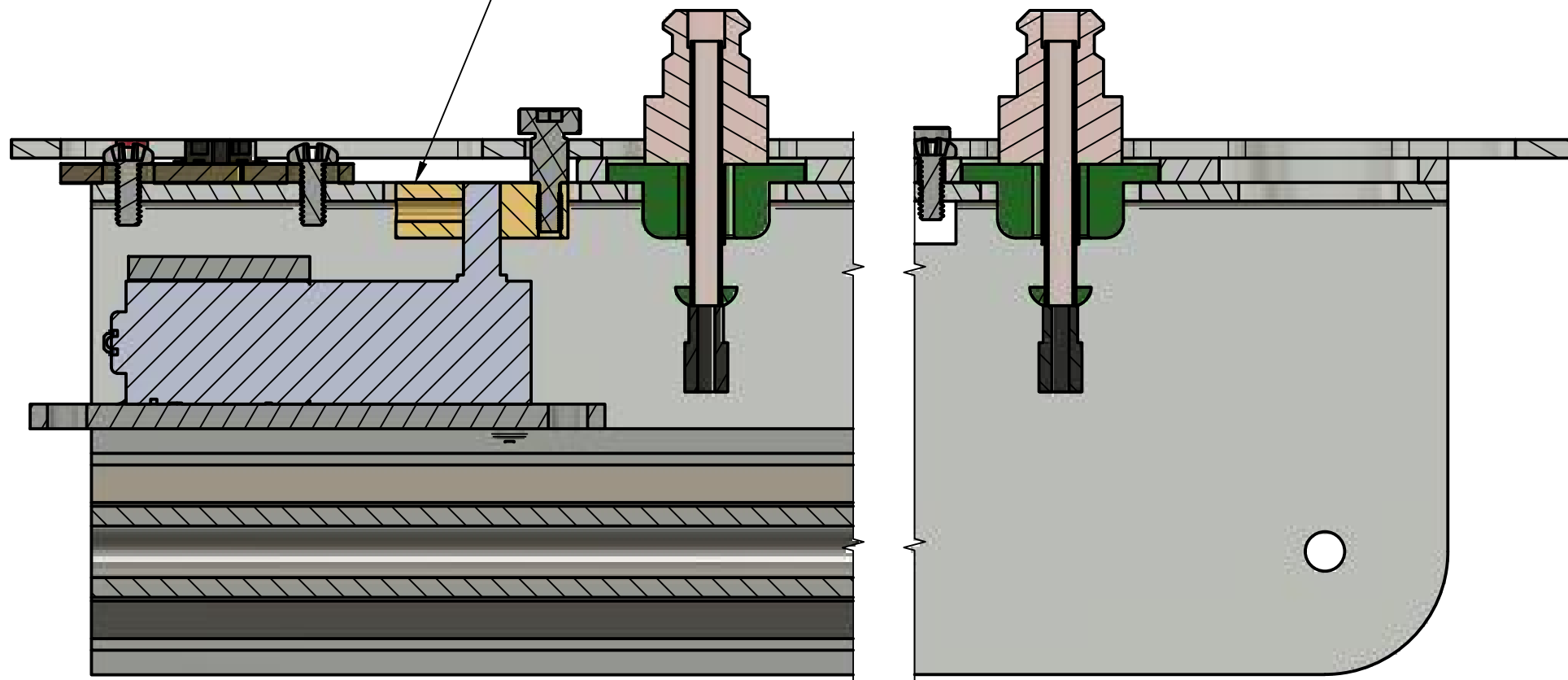
Make sure to install the cover on the correct side so that the cutout looks like this.



Rapid Star		Assembly Instructions	
Drawn By Deltaprinter	Date 8/14/21	Nozzle Magazine	<small>UNLESS OTHERWISE SPECIFIED, DIMENSION UNITS ARE MILLIMETER OR DEGREE THE INFORMATION CONTAINED IN THIS DRAWING IS THE SOLE PROPERTY OF DELTAPRINTER INC. ANY REPRODUCTION IN PART OR AS AWHOLE WITHOUT THE WRITTEN PERMISSION OF DELTAPRINTER INC IS PROHIBITED.</small>

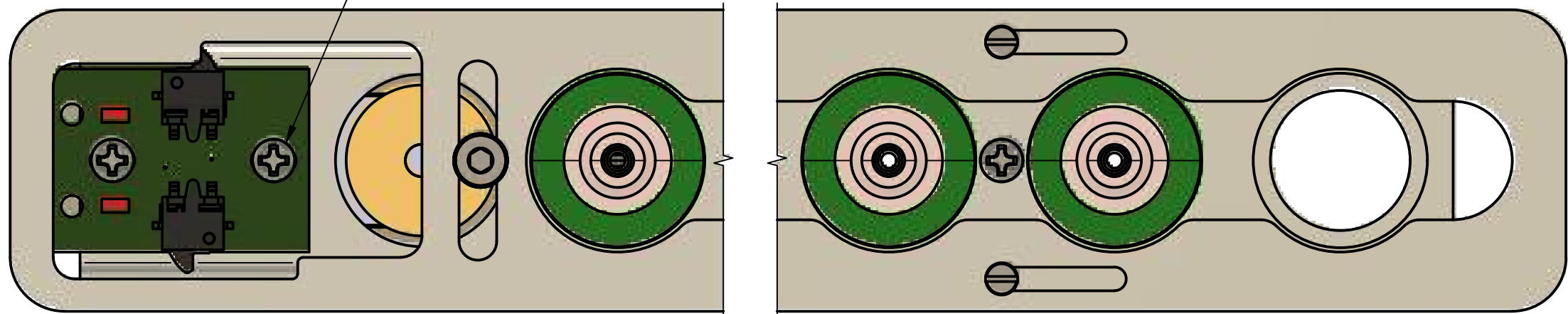
B-B (2:1)

Make sure the motor cam sits flush with the base as shown.
 Lift the nozzle magazine high enough so the cam does not protrude out
 and tighten the six screws on the sides to secure the magazine to the extrusion.



Rapid Star		Assembly Instructions	
Drawn By Deltaprinter		Nozzle Magazine	UNLESS OTHERWISE SPECIFIED, DIMENSION UNITS ARE MILLIMETER OR DEGREE THE INFORMATION CONTAINED IN THIS DRAWING IS THE SOLE PROPERTY OF DELTAPRINTER INC. ANY REPRODUCTION IN PART OR AS AWHOLE WITHOUT THE WRITTEN PERMISSION OF DELTAPRINTER INC IS PROHIBITED.
Date 8/14/21			
Rev.	Date of issue	Sheet	2/3

Loosen the screws and adjust the circuit board left/right so both endstops get triggered. Check to make sure that the cover is fully open when endstop is triggered or else the nozzle will get stuck when being pulled out of the magazine.



Rapid Star		Assembly Instructions	
Drawn By Deltaprinter		Nozzle Magazine	<small>UNLESS OTHERWISE SPECIFIED, DIMENSION UNITS ARE MILLIMETER OR DEGREE THE INFORMATION CONTAINED IN THIS DRAWING IS THE SOLE PROPERTY OF DELTAPRINTER INC. ANY REPRODUCTION IN PART OR AS AWHOLE WITHOUT THE WRITTEN PERMISSION OF DELTAPRINTER INC IS PROHIBITED.</small>
Date 8/14/21			